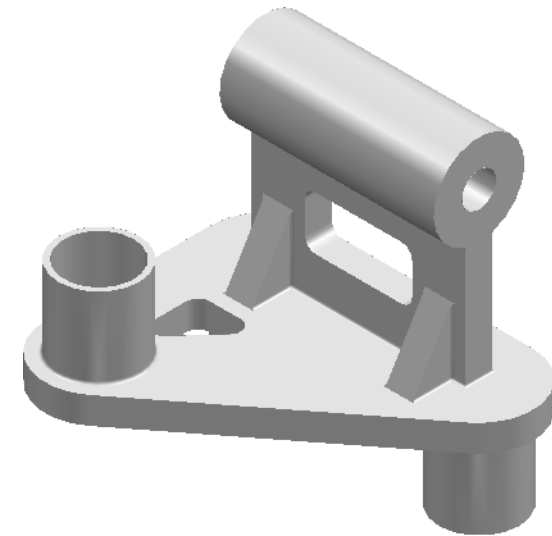


Detail B  
1:1



	NAME	DATE	<b>SOLID EDGE</b> Schulungsbeispiel		
DRAWN	N.Höfler	24.02.10			
CHECKED			TITLE		
ENG APPR			Bock (Halterung)		
MGR APPR			SIZE	DWG NO	REV
Höfler IT-Service Am Relsner Eck 6 08371 Glauchau 03763 501141			A4	00-11-11-Z	
			FILE NAME: Bock.dft		
SCALE:			WEIGHT:	SHEET 1 OF 1	